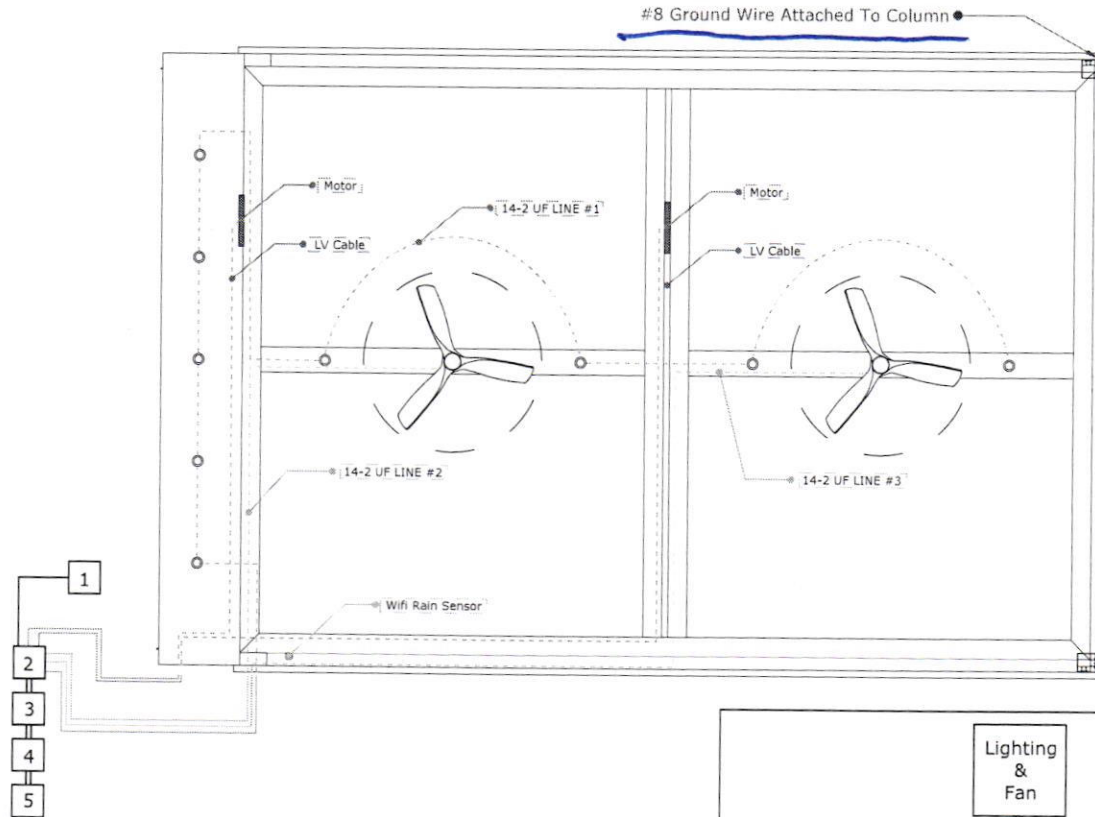


Inspection comments:

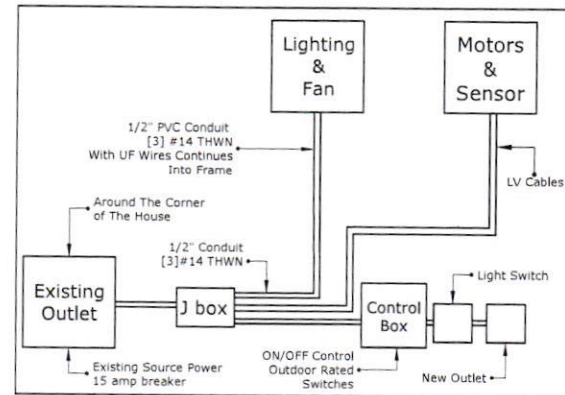
- ① The Low Voltage Conductors Shall not occupy the same raceway with the 120V Circuit. Nec 300.3 C 1
- ② Field Installation of Work Does Not Match Approved Plan. FBC 110.9.1
- ③ Column Bond Not Visible, FBC 10.9.1

PERMIT NUMBER: 2106-0153
DATE INSPECTED: 7-22-22



KEYNOTES:

1	EXISTING SOURCE POWER(15AMP BREAKER)		PERGOLA MOTOR Manufacturer: Firgelli Model: FA-BH50-500-24-10 Specification Voltage: 24V Force: 500lb Stroke length: 10"		LED RECESSED LIGHTS Manufacturer: AspectLED Model: AL-RL-S-42-6 Specification Watts: 6 Led quantity:6-High Power Watt Leds Fixture Material: High Performance aluminum alloy Standards/Certifications: UL Listed, cUL Listed, RoHS, CE
2	JUNCTION BOX				
3	CONTROL BOX				
4	OUTDOOR SWITCHES LIGHTS				
5	NEW OUTLET				



note:

ELECTRICAL PLAN
scale: 1" = 38" (1 = 38)



STATUS
OUTDOOR • LUXURY • LIVING

9611 N US HWY 1 Ste 341
Sebastian FL 32958
Tel: 833.STATUS
E-mail: office@status.tech

RAYBURN, MICAH B
STATUS TECHNOLOGY, INC.
LICENCE NUMBER: CBC1263773

Leroy Reynolds
8975 Parkland Bay Drive
Parkland, FL 33076

EL-01

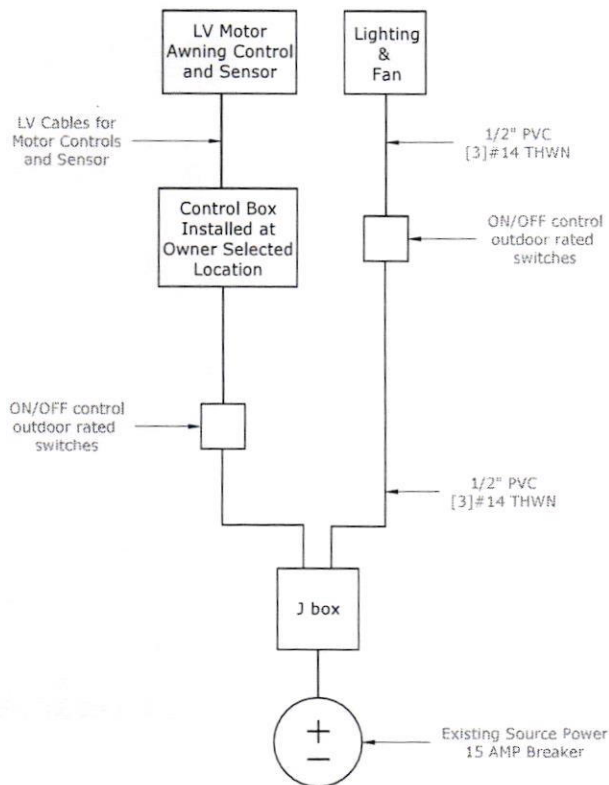
ALUMINUM PERGOLA

Load Summary for Motors

Awning Motor: 2@35 watt=70 watts
 Total watts: 70 watts
 Total load: 0.58 amp

Load Summary for Lights & Fans

LED Recess: 9@6 watt=54 watts
 Fan: 2@47watt=94
 Total watts: 148 watts
 Total load: 1.23 amp



NOTE:
 on/off control switches will be provided for LED lights and fans
 Location to be determined



STATUS

OUTDOOR • LUXURY • LIVING
 9611 N US HWY 1 Ste 341
 Sebastian FL 32958
 Tel: 833.STATTUS
 E-mail: office@status.tech

RAYBURN, MICAH B
 STATTUS TECHNOLOGY, INC.
 LICENCE NUMBER: CBC1263773

Leroy Reynolds
 8975 Parkland Bay Drive
 Parkland, FL 33076

note:

ELECTRICAL PLAN

EL-02



CITY OF PARKLAND BUILDING DEPARTMENT 954-753-5447			
Date Received: 2/14/23		Permit Number: BLDG2106-0153	
Lot: 485	Block:	Subdivision:	
Job Address: 8975 PARKLAND BAY DR		COP Shows Column Bond	
Work Description: ALUMINUM PERGOLA			
Contractor: STATTUS TECHNOLOGY INC		Phone: 5614142190	
DEPARTMENT	Date Denied	Date Approved	Initials
ZONING			
LANDSCAPING			
ENGINEERING			
FIRE			
STRUCTURAL		N/A	
ELECTRICAL		2-16-2023	TN
PLUMBING			
MECHANICAL			