

Fieldstone
SHOP DRAWING REVIEW
 Review is for general compliance with the Contract Documents. Sole responsibility for correctness of dimensions, details, quantities, and safety during fabrication and erection shall remain with the Contractor.

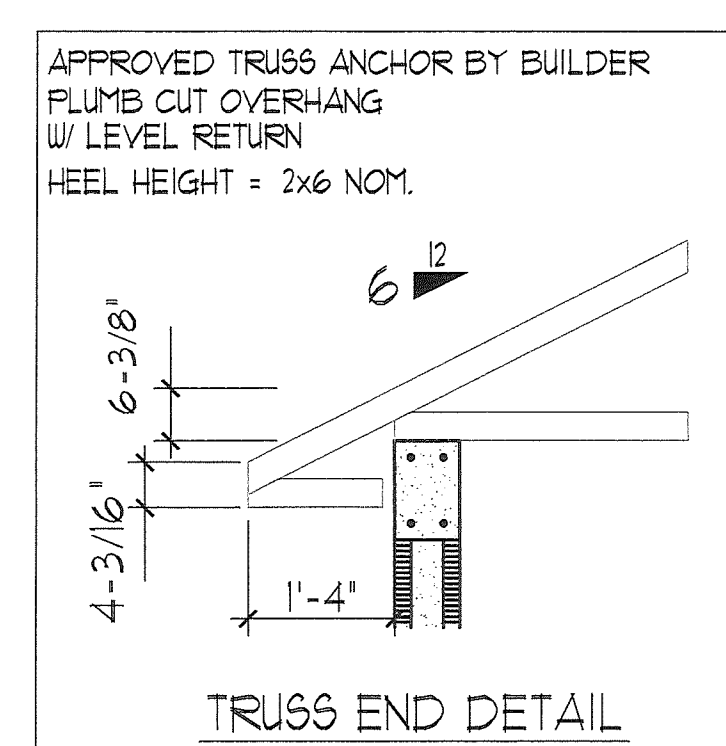
- No Exceptions Taken
- Furnish with Changes Noted
- Amend and Resubmit
- Rejected:

Reviewed by: *Benjamin Nasse, P.E.* Date: 03/10/2022

HANGER LEGEND

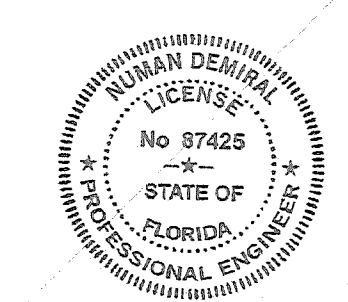
* ALL TR HANGERS SHOWN ARE ITW AHU26 UNLESS NOTED OTHERWISE.
 * ALL 4" 61542 HANGERS SHOWN ARE AHU46 UNLESS NOTED OTHERWISE.
 * TRUSS INSTALLER IS RESPONSIBLE FOR INSTALLING SPECIFIED HANGER FOR TRUSS TO TRUSS CONNECTIONS PER MANUFACTURER SPECIFICATIONS.

ITW HANGERS UNLESS NOTED OTHERWISE	
AHU26	AHU46
(B) AHU28	(SR) SSR26
(C) AHU26-2	(SL) SSL26
(D) AHU28-2	(FR) SSR46
(E) AGUS26-2T	(FL) SSL46
(F) AGUS28-2T	(MR) MSR26-2
(G) AGUS26-3T	(ML) MSL26-2
(H) AGUS28-3T	(HT) THGQ2
(I)	(HB) THGQ3
(J)	(X) SPECIAL CONNECTION BY OTHERS



WALL LEGEND

	12'-0" AFF
	17'-0" AFF



Digitally signed by Numan Demiral
 PE87425
 Date: 2022.02.25
 17:09:52 -05'00"

NOTICE

Field Bracing is not the responsibility of the truss fabricator, truss designer, nor plate manufacturer. Persons erecting trusses are cautioned to seek professional advice regarding erection bracing which is always required to prevent toppling and dominoing during erection, and permanent bracing which may be required in specific applications. Trusses shall be erected and fastened in a straight and plumb position. When no sheathing is applied directly to the top chords, they shall be braced at 24' o.c. max. Where no rigid ceiling is applied directly to the bottom chords, they shall be braced at 6'-0" o.c. max. Trusses shall be handled with reasonable care during erection to prevent excessive damage or personal injury.

See Engineering for connections, nailing schedules, etc.

NOTE: Labeling trusses is a service, not a requirement. Engineered drawings supersede labeling of trusses. It is the responsibility of the builder to utilize engineered drawings when erecting trusses.

Girder truss to girder truss connections which exceed the capacity of a standard hanger or truss to wall connections are the responsibility of the builder.

GENERAL NOTES

- TRUSSES SPACED 24' ON CENTER, U.O.N.
 - ALL WALL, BEAM & COLUMN MOUNTED TRUSS HANGERS BY BUILDER
 - SOME DOWN FRAMING BY BUILDER
 - SOME VALLEY FRAMING BY BUILDER
 - BOT. = BOTTOM OF TRUSS FROM ELEV. 0'-0"
- NOTICE: PLEASE CONTACT F.O.T. PRIOR TO ANY ALTERATION OF TRUSSES PROVIDED BY US. F.O.T. WILL NOT BE RESPONSIBLE FOR ANY TRUSS CUT OR ALTERED WITHOUT PRIOR WRITTEN AUTHORIZATION

WIND SPEED: 170 MPH TYPE: MUF8
 DESIGN CRITERIA: ASCE 7/16
 RISK CAT: 2 EXPOSURE: C
 BUILDING TYPE: CLOSED

ROOF LOADS		FLOOR LOADS	
TCLL:	20	TCLL:	
TCDL:	15	TCDL:	
BCLL:	0	BCLL:	
BCDL:	0	BCDL:	
TOTAL:	45	TOTAL:	
DEFLECTION:	360/240	DEFLECTION:	

FLORIDA QUALITY TRUSS

TEL: (954) 975-3384
 FAX: (954) 978-8980
 3635 PARK CENTRAL BLVD
 POMPANO BEACH, FL. 33064

SHOP DRAWING APPROVAL

THIS DRAWING IS THE SOLE SOURCE FOR FABRICATION OF TRUSSES AND VOIDS ALL PREVIOUS ARCHITECTURAL OR OTHER LAYOUTS. APPROVAL OF THIS LAYOUT IS NECESSARY BEFORE ANY WORK CAN BE DONE. PLEASE VERIFY AND/OR INDICATE TRUSS PLACEMENT, DIRECTIONS, DIMENSIONS, BEARING CONDITIONS, PITCHES, SHAPES, OVERHANGS, CHIMNEY, CUPOLA LOADS AND CONNECTIONS SHALL BE SUPPLIED BY A/E OF RECORD.

Approved By: _____ Date: _____

REV:	
REV:	
REV:	
CUSTOMER:	K-HOVANIAN
DATE:	02/25/21
SCALE:	1/4" = 1'-0"
SUB:	PARKLAND ROYALE
ADDRESS:	
COUNTY:	BROWARD
LOT/BLOCK:	461
MODEL:	VERNA 10
ELEVATION:	TUSCAN

PAGE: 1 OF 1
 DWG NO: 22HS012

10-15-22

CITY OF PARKLAND BUILDING DEPARTMENT 954-753-5447			
Date Received: 4/8/22		Permit Number: BLDG2204-0081	
Lot: 461	Block:	Subdivision: PARKLAND ROYALE	
Job Address: 9281 PORTO WAY			
Work Description: 461 PARKLAND ROYALE <i>TWSS</i>			
Contractor: K. HOVNANIAN JV SERVICES COMPANY LLC		Phone: 5613368847	
DEPARTMENT	Date Denied	Date Approved	Initials
ZONING			
LANDSCAPING			
ENGINEERING			
FIRE			
STRUCTURAL		5-14-22	<i>WTD</i>
ELECTRICAL			
PLUMBING			
MECHANICAL			