

**NOTICE**

Field Bracing is not the responsibility of the truss fabricator, truss designer, nor plate manufacturer. Persons erecting trusses are cautioned to seek professional advice regarding erection bracing which is always required to prevent toppling and dominoing during erection, and permanent bracing which may be required in specific applications. Trusses shall be erected and fastened in a straight and plumb position. When no sheathing is applied directly to the top chords, they shall be braced at 24' or max. Where no rigid ceiling is applied directly to the bottom chords, they shall be braced at 6'-0" o.c. max. Trusses shall be handled with reasonable care during erection to prevent excessive damage or personal injury. See Engineering for connections, nailing schedules, etc.

NOTE: Labeling trusses is a service not a requirement. Engineered drawings supersede labeling of trusses. It is the responsibility of the builder to utilize engineered drawings when erecting trusses.

Girder truss to girder truss connections which exceed the capacity of a standard hanger or truss to wall connections are the responsibility of the builder.

**GENERAL NOTES**

1. TRUSSES SPACED 24' ON CENTER, U.O.N.
2. ALL WALL, BEAM & COLUMN MOUNTED TRUSS HANGERS BY BUILDER
3. SOME DOWN FRAMING BY BUILDER
4. SOME VALLEY FRAMING BY BUILDER
5. BOT. = BOTTOM OF TRUSS FROM ELEV. 0'-0"

NOTICE, PLEASE CONTACT F.O.T. PRIOR TO ANY ALTERATION OF TRUSSES PROVIDED BY US. F.O.T. WILL NOT BE RESPONSIBLE FOR ANY TRUSS CUT OR ALTERED WITHOUT PRIOR WRITTEN AUTHORIZATION

WIND SPEED: 110 MPH TYPE: WURFS  
 DESIGN CRITERIA: ASCE 716  
 RISK CAT: 2 EXPOSURE: C  
 BUILDING TYPE: CLOSED

ROOF LOADS	TCLL: 20
FLOOR LOADS	TCLL: 15
	COLL: 0
	BCLL: 0
	BODL: 40
	TOTAL: 125
	ALLOWABLE: 125
DEFLECTION: 360/240	

**FLORIDA QUALITY TRUSS**

TEL: (954) 975-3384  
 FAX: (954) 978-8980  
 3635 PARK CENTRAL BLVD  
 POMPANO BEACH, FL. 33064

**SHOP DRAWING APPROVAL**

THIS DRAWING IS THE SOLE SOURCE FOR FABRICATION OF TRUSSES AND VOIDS ALL PREVIOUS ARCHITECTURAL OR OTHER LAYOUTS APPROVAL OF THIS LAYOUT IS NECESSARY BEFORE ANY WORK CAN BE DONE. PLEASE VERIFY AND/OR INDICATE TRUSS PLACEMENT, DIRECTIONS, DIMENSIONS, BEARING CONDITIONS, PTCHES, SHAPES, OVERHANGS, CHIMNEY, CUPOLA LOADS AND CONNECTIONS SHALL BE SUPPLIED BY ME OF RECORD.

Approved By: \_\_\_\_\_ Date: \_\_\_\_\_

REV	REV	DATE

CUSTOMERS: K-HOVANIAN  
 ADDRESS: PARKLAND ROYALE  
 COUNTY: BROWARD  
 MODEL: SOLEIL  
 LOT/BLK NO: 224510

DATE: 04/08/22 SCALE: 1/4" = 1'-0"  
 SUB: PARKLAND ROYALE  
 PAGE: 1 OF 1

**Fieldstone**  
 SHOP DRAWING REVIEW

Reviewed by: \_\_\_\_\_ Date: 04/19/2022

No Exceptions Taken  
 Amend and Resubmit  
 Requested

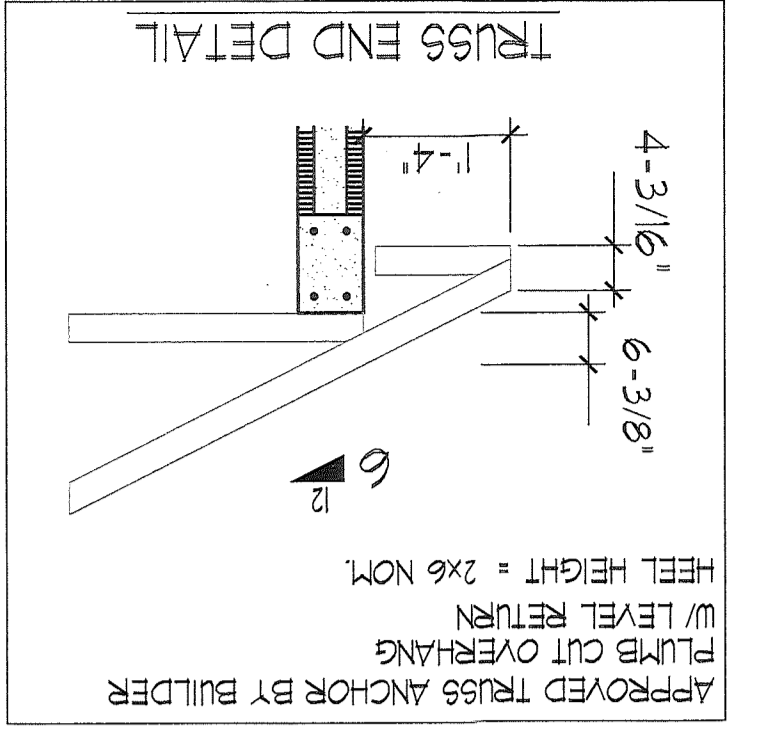
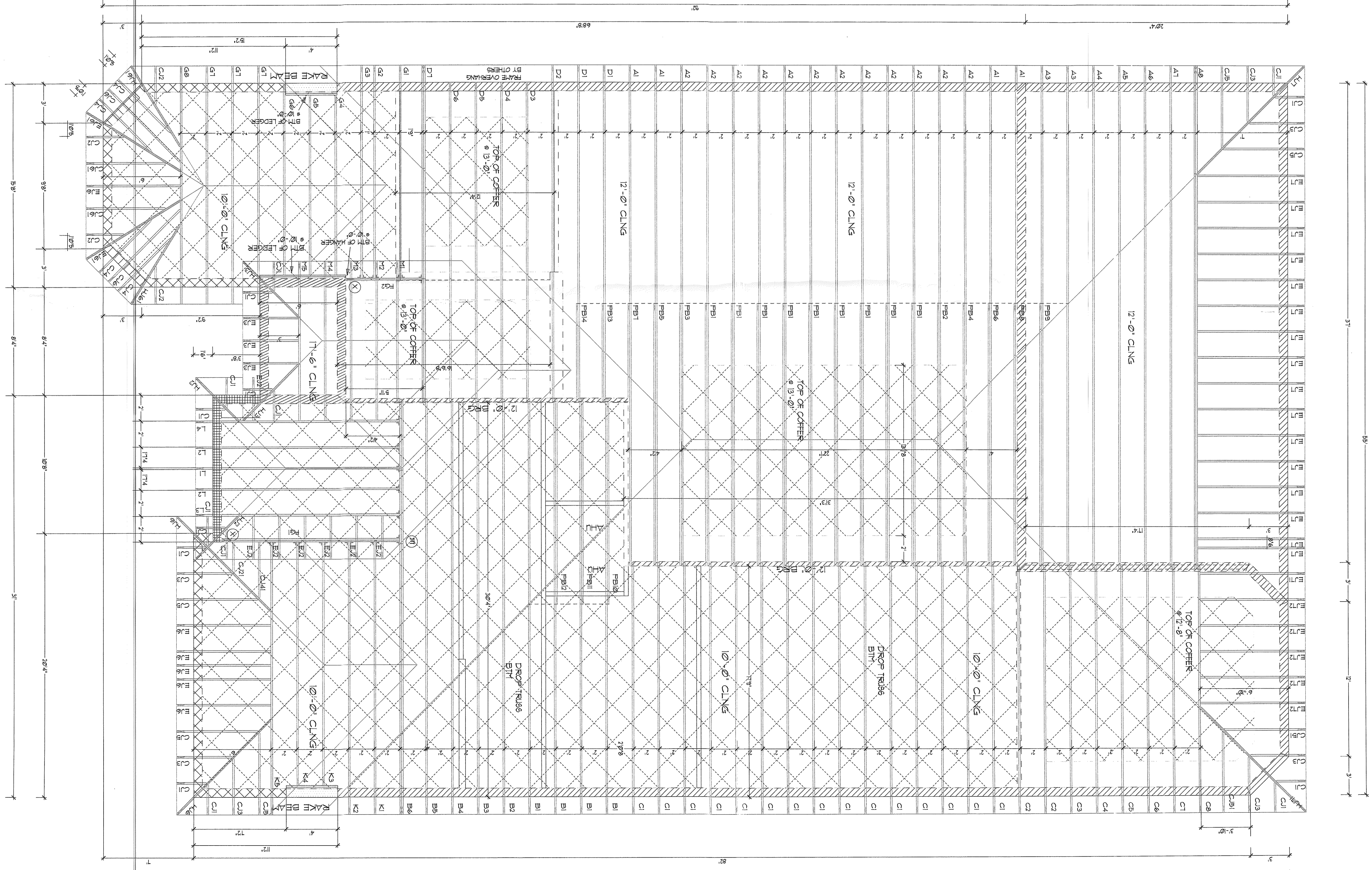
Review is for general compliance with the Contract Documents. Sole responsibility for correctness of dimensions, details, quantities, and safety during fabrication and erection shall remain with the Contractor.

■ No Exceptions Taken  
 □ Amend and Resubmit  
 □ Requested

Reviewed by: \_\_\_\_\_ Date: 04/19/2022

No 87425  
 STATE OF FLORIDA  
 PROFESSIONAL ENGINEER \*  
 LICENSE  
 MINNA DEMAL

Demiral PE87425  
 Date: 2022.04.12  
 14:50:01 -04'00'  
 Digitally signed by Numan



**HANGER LEGEND**

\* ALL 2x HANGERS SHOWN ARE 17U A426 UNLESS NOTED OTHERWISE.  
 \* ALL 4x 57x4 HANGERS SHOWN ARE A426 UNLESS NOTED OTHERWISE.  
 \* TRUSS INSTALLER IS RESPONSIBLE FOR INSTALLING SPECIFIED HANGERS FOR TRUSS CONNECTIONS PER MANUFACTURER SPECIFICATIONS.

⊗	AGUS26-3T	THG03	SPECIAL BY OTHERS
⊗	AGUS26-3T	THG02	
⊗	AGUS26-3T	M9L26-2	
⊗	AGUS26-2T	M9R26-2	
⊗	AGUS26-2T	S6L46	
⊗	AH26-2	S6R46	
⊗	AH26-2	S6L26	
⊗	AH26	S6R26	
⊗	AH26	AH46	

**WALL LEGEND**

▨	17'-6" AFF
▧	14'-6" AFF
▩	12'-0" AFF
▪	10'-0" AFF

CITY OF PARKLAND BUILDING DEPARTMENT 954-753-5447			
Date Received: 5/17/22	Permit Number: BLDG205-0133		
Lot: 529	Block:	Subdivision: PARKLAND ROYALE	
Job Address: 8930 BASTILLE CIR W		11255	
Work Description: 529 PARKLAND ROYALE			
Contractor: K. HOVNANIAN JV SERVICES COMPANY LLC		Phone: 5613368847	
DEPARTMENT	Date Denied	Date Approved	Initials
ZONING			
LANDSCAPING			
ENGINEERING			
FIRE			
STRUCTURAL		6-9-22	DPB
ELECTRICAL			
PLUMBING			
MECHANICAL			