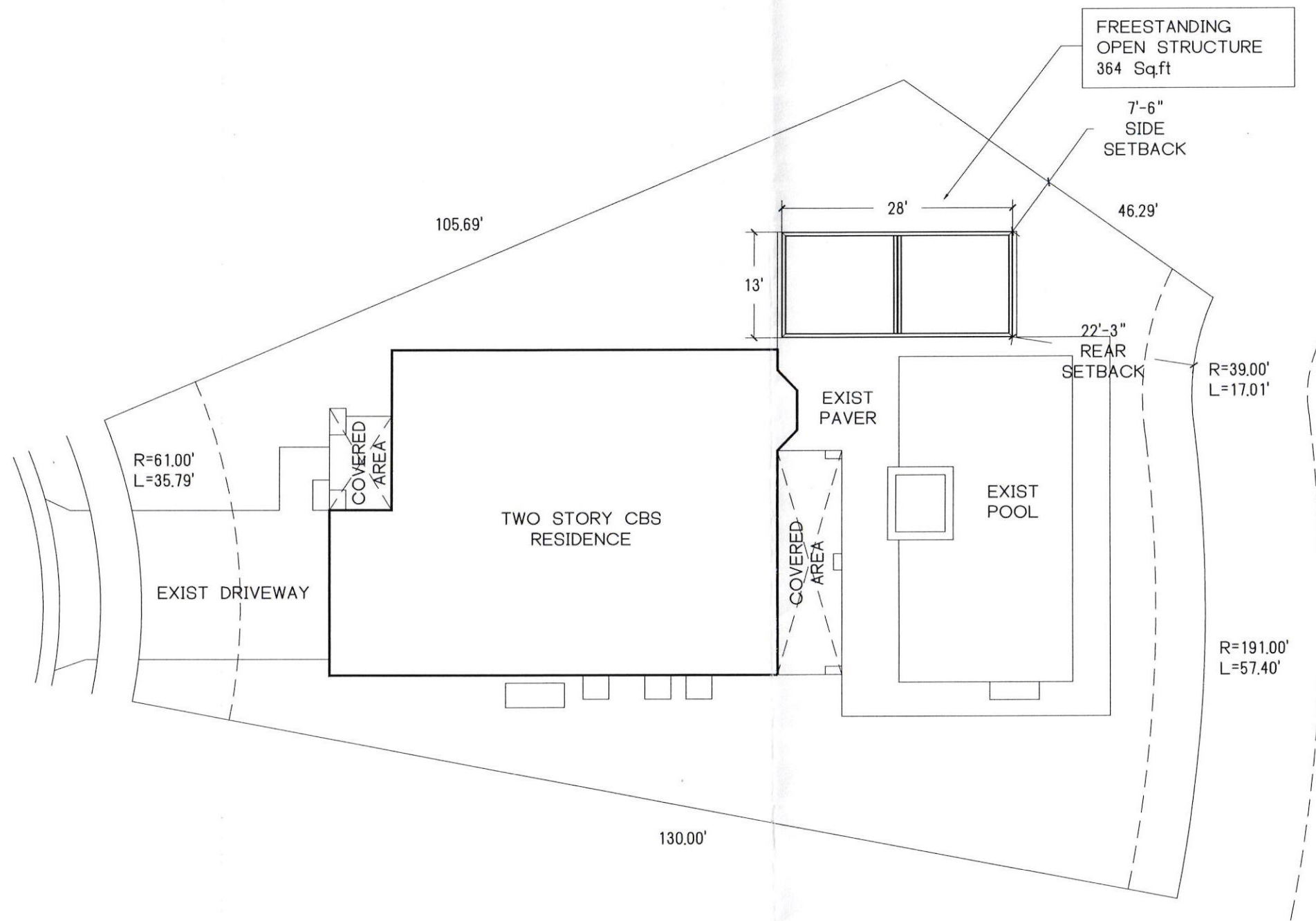




SITE PLAN
SCALE: 1/16"=1'-0"



Digitally signed
by Mario Duan
DN: c=US, o=MDS
Engineering
Corp,
ou=A01410D00
PE 6931, 00171600406136
000199F,
cn=Mario Duan
Date: 2023.02.07
14:36:21 -05'00'

DESIGNED	D.C.O.	MARIO DUANY PE Florida Registration # 67340 9370 SW 72 ST, Ste A270, MIAMI FL 33173 Tel : (78)-436-7062 Fax : (786)-703-6992 EMAIL : mario.duan@mdsengineeringcorp.com	REVISIONS	N'	Date
	DRAWN			D.C.O.	Description
CHECKED		AM	SCALE	AS SHOW	DATE
DATE		01/10/2023			
PROJECT:	OPEN STRUCTURE				
ADDRESS:	10750 AZUL LN PARKLAND, FL 33076				
OWNER:	MARIA COBZAS	FOLIO:	474129054930		
THE PATIODISTRICT INNOVATION IN PATIO DESIGN					
L1					
File No.	LUCIA BLANCHARD.DWG				
Sheet 1 of 6					

A- GENERAL NOTES:

1. ALL COMPONENTS ARE DESIGNED ACCORDING TO THE FLORIDA BUILDING CODE 2020, 7TH EDITION.
2. ALL WELDING THICKNESS SHALL BE A MINIMUM OF 1/8" IN ACCORDANCE WITH AWS D.1.2 USING 5183 FILLER.
3. CONTRACTOR TO REVIEW EXACT DIMENSION ON FIELD AND REPORT TO THE ENGINEER OF RECORD IF THERE IS ANY DISCREPANCY.
4. ALL WELDS SHALL BE COVERED WITH CORROSION RESISTANT COATING.
5. ALL WELDING SHALL BE PERFORMED WITH CERTIFIED WELDERS.
6. ALL SCREWS TO BE 300 SERIES STAINLESS STEEL W/ 50 ksi MINIMUM YIELD STRENGTH OR 2024-T4 ALUMINUM ALLOY.
7. MINIMUM COMPRESSIVE STRENGTH FOR GROUT IS 8000 PSI AFTER 28 DAYS.
8. EMBEDDED ALUMINUM POSTS INSIDE GROUT SHALL BE PROTECTED WITH ALKALI-RESISTANT COATING SUCH AS HEAVY-BODIED BITUMINOUS PAINT OR WATER-WHITE METHACRYLATE LACQUER.
9. REINFORCING STEEL INCLUDING HOOKS AND BENDS, SHALL BE DETAILED IN ACCORDANCE WITH ACI 315.
10. SUBCONTRACTOR TO VERIFY ALL DIMENSIONS, FLOOR AND WALL CONDITIONS AT SITE BEFORE PROCEEDING WITH THE WORK AND SHALL NOTIFY NATIONAL CONSULTING ENGINEERS (NCE) SHOULD ANY DISCREPANCIES BE FOUND THAT MIGHT ALTER THE STRUCTURAL DESIGN OF THIS SYSTEM.
11. SUBCONTRACTOR TO VERIFY THE EXISTENCE OF ANY UTILITIES WHICH MAY INTERFERE WITH THIS CONSTRUCTION AND SHALL NOTIFY NCE SHOULD ANY ALTERATION BE NECESSARY.
12. NCE IS NOT RESPONSIBLE FOR CONSTRUCTION SAFETY AT SITE WHICH IS THE SUBCONTRACTOR'S RESPONSIBILITY.

B- LOAD NOTES:

1. SUPERIMPOSED DEAD LOAD = 5 PSF.
2. LIVE LOAD = 20 PSF.
3. PERGOLA HAS BEEN DESIGNED ACCORDING TO WITHSTAND WIND LOADING ACCORDING TO ASCE 7-16 WITH THE FOLLOWING CRITERIA:
WIND SPEED 175 MPH
RISK CATEGORY 2
EXPOSURE "D"
MAIN ROOF HEIGHT 15 FT

C- NOTES FOR ANCHORS INSTALLATION IN EXISTING CMU WALLS:

1. FILL CELLS WITH GROUT. MINIMUM COMPRESSIVE STRENGTH = 3000PSI @ 28 DAYS.
2. LOCATE EXISTING REBARS.
3. DO NOT DAMAGE EXISTING REBARS.

D- NOTES FOR ANCHORS INSTALLATION IN EXISTING CONCRETE:

1. LOCATE EXISTING PT CABLES AND REBARS.
2. CONTRACTOR TO ADJUST HOLES NOT DAMAGE EXISTING PT CABLES OR REBARS.
3. ALL CONCRETE ANCHORS MUST BE PLACED INSIDE EXISTING CONCRETE TIE BEAM WITH MINIMUM 3 INCHES EDGE DISTANCE OR INSIDE FILLED CELLS.

E- REINFORCING NOTES:

- 1- ALL REINFORCING STEEL SHALL CONFORM TO ASTM A-615, GRADE 60. EPOXY COATED REINFORCING SHALL CONFORM TO ASTM A-775.
- 2- ALL REINFORCING STEEL SHALL BE SET AND TIED IN PLACE PRIOR TO POURING OF CONCRETE. EXCEPT THAT VERTICAL DOWELS FOR MASONRY WALL REINFORCING MAY BE "FLOATED" IN PLACE. DO NOT FIELD BEND BARS PARTIALLY EMBEDDED IN HARDENED CONCRETE UNLESS SPECIFICALLY INDICATED OR APPROVED BY THE ENGINEER.
- 3- REINFORCING STEEL INCLUDING HOOKS AND BENDS, SHALL BE DETAILED IN ACCORDANCE WITH ACI 315.

F- CONCRETE NOTE:

- FOUNDATION SHALL HAVE CONCRETE W/ MIN. COMPRESSIVE STRENGTH OF 3000 PSI AT 28 DAYS.

G- SOIL NOTE:

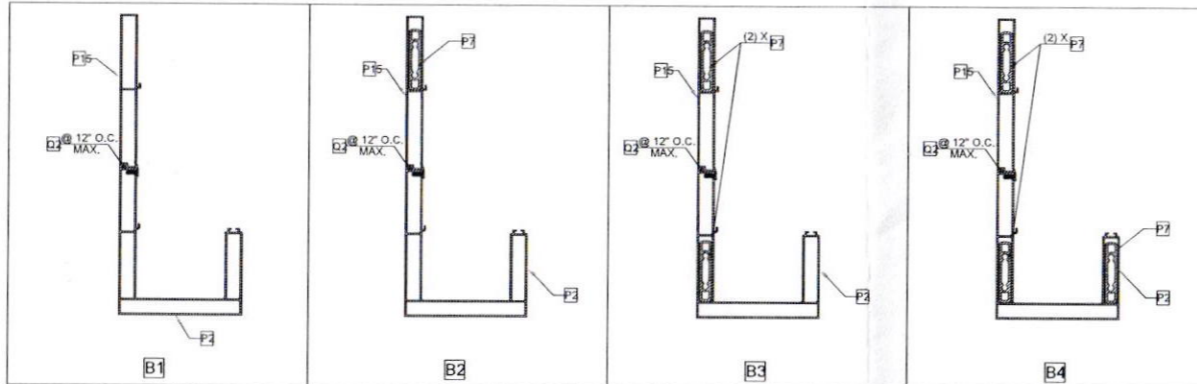
- FOUNDATION HAS BEEN DESIGNED FOR ALLOWABLE PRESSURE OF 2000 PSF BY RATIONAL ANALYSIS.

LIST OF COMPONENTS:

ALUMINUM 6005-T6	ALUMINUM 6063-T6	ALUMINUM 6063-T6	ALUMINUM 6063-T6	ALUMINUM 6061-T6	ALUMINUM 6061-T6
ALUMINUM 6063-T6	ALUMINUM 6061-T6	3.94" X 3.94" X 0.06" ALUMINUM 6061-T6	LENGTH= 3.80" ALUMINUM 6061-T6	ALUMINUM 6005-T6	ALUMINUM 6061-T6
ALUMINUM 6063-T6	ALUMINUM 6063-T6	THICK = 1/4" ALUMINUM 6063-T6	THICK = 1/4" HEIGHT = 2.28" ALUMINUM 6061-T6	ALUMINUM 6061-T6	
ALUMINUM 6061-T6	ALUMINUM 6061-T6	ALUMINUM 6061-T6	ALUMINUM 6061-T6	ALUMINUM 6061-T6	ALUMINUM 6061-T6
ALUMINUM 6061-T6					ALUMINUM 6061-T6

LIST OF AZENCO ANCHORS		
Q1	Ø 1/2" X 3" SMOOTH ROD	
Q2	# 14 S.S. FLAT HEAD S.M.S.	# 14 X 1 1/2"
Q3	Ø 1/4" S.S. FLAT HEAD S.M.S.	# 14 X 1 1/2"
Q4	Ø 3/8" S.S. FLAT HEAD S.M.S.	Ø 3/8" X 1 3/8"
Q5	Ø 1/2" X 1" SLEEVE ROD	Ø 1/2" X 1"
OTHER ANCHORS		
A1	Ø 1/2" X 5 7/16" DEWALT BOLT MIN. EMBEDMENT DEPTH= 4 1/2"	
A2	Ø 1/2" S.S. 316 THRU BOLT W/ WASHER & NUT STAGGERED @ 12" (MAX.) O.C. AND @ 4" FROM EDGE	Ø 1/2" X 2"
A3	Ø 1/2" DEWALT BOLT @ 6" FROM EDGE AND @ 20" (MAX.) O.C. MIN. EMBEDMENT DEPTH= 4 1/2"	Ø 1/2"
A4	Ø 1/2" S.S. 316 THRU BOLT W/ WASHER & NUT	Ø 1/2"
A5	Ø 3/4" DEWALT BOLT MIN. EMBEDMENT DEPTH= 4 1/2"	Ø 3/4"
A6	HEX SCREW # 14 X 3"	# 14 X 3"

BEAMS SCHEDULE:



REVISIONS		DESIGNED		DRAWN		CHECKED		SCALE		DATE	
N°	Description	D.C.O.	D.C.O.	A.M.	A.M.	AS SHOW	AS SHOW	AS SHOW	AS SHOW	AS SHOW	AS SHOW

PROJECT: OPEN STRUCTURE

ADDRESS: 10750 AZUL LN PARKLAND, FL 33076

OWNER: MARIA COBZAS

FOLIO: 474129054930

DESIGNED BY: MARIO DUJANY, PE
Florida Registration # 67340

9370 SW 72 ST, Ste A270, MIAMI FL 33173
Tel : (78)-45-7062 Fax : (786)-703-6992
EMAIL : mariodujany@mdengineeringcor.com

THEPATIODISTRICT
INNOVATION IN PATIO DESIGN

G1

File No. LUCIA BLANCHARD.DWG
Sheet 2 of 6