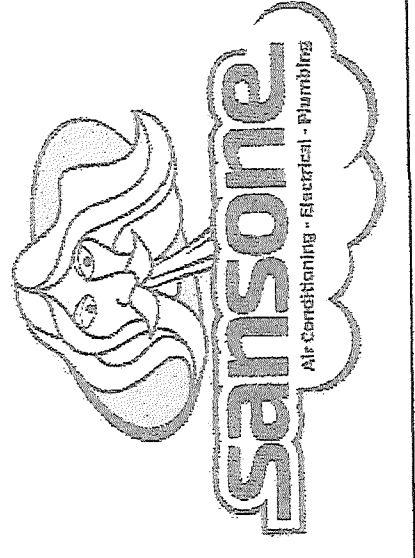
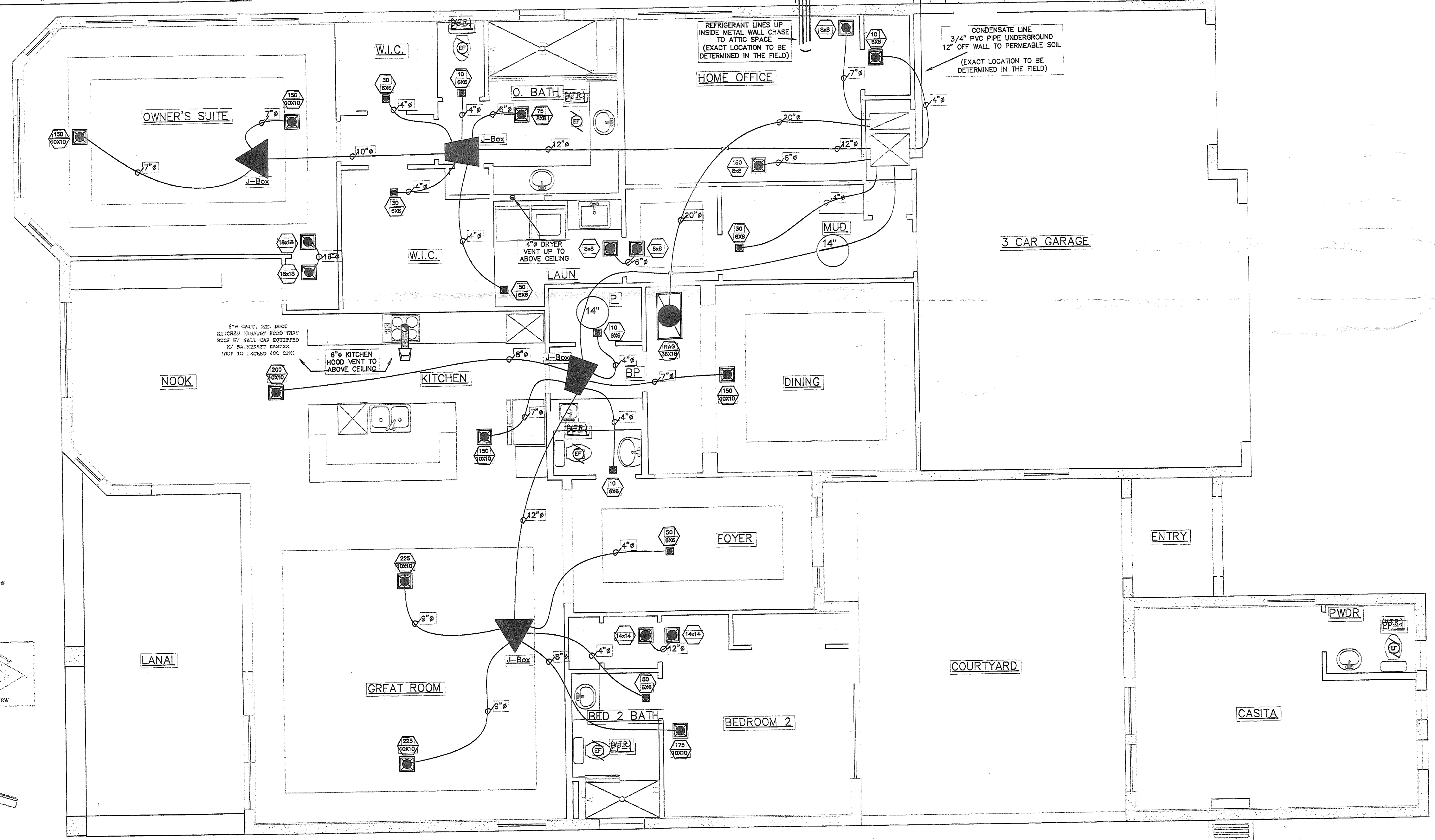


| SPLIT EQUIPMENT SCHEDULE |              |              |
|--------------------------|--------------|--------------|
| MANUFACTURER             | CARRIER      | CARRIER      |
| AHU#                     | 1            | 2            |
| MODEL                    | FJ4DNXC42L00 | 40MHHAQ12XA3 |
| CFM                      | 1400         | 400          |
| AUX. HEAT (Kw)           | 10.0         | N/A          |
| VOLTS                    | 208/240/1/60 | 208/240/1/60 |
| C/U#                     | 1            | 2            |
| MODEL                    | GA5SAN442    | 38MHRQ12AA3  |
| SEER / HSPF              | 15           |              |
| NOMINAL TONS             | 3.5          | 1.0          |
| REF. LINES (G/L)         | 7/8", 3/8"   | 1/2", 3/8"   |
| REFRIGERANT              | 410-A        | 410-A        |
| VOLTS                    | 208/230/1/60 | 208/230/1/60 |
| TOTAL BTUH               | 42,000       | 11,800       |
| SENSIBLE BTUH            | 31,500       | 8,850        |



**DESIGN NOTES:**  
 16:11:18-05/00  
 THIS PROJECT HAS BEEN PREPARED BY ACCORDANCE WITH ASHRAE 90.1 AND ASHRAE 62.1-2004. THE DESIGNER HAS CONDUCTED VISUAL VERIFICATION OF THE PROJECT AND HAS FOUND THE PROJECT TO BE IN COMPLIANCE WITH THE ABOVE MENTIONED STANDARDS. THE DESIGNER HAS CONDUCTED VISUAL VERIFICATION OF THE PROJECT AND HAS FOUND THE PROJECT TO BE IN COMPLIANCE WITH THE ABOVE MENTIONED STANDARDS. THE DESIGNER HAS CONDUCTED VISUAL VERIFICATION OF THE PROJECT AND HAS FOUND THE PROJECT TO BE IN COMPLIANCE WITH THE ABOVE MENTIONED STANDARDS.



- H.V.A.C. NOTES**
- INSULATE SUCTION LINES WITH 1/2" ARMAFLEX AS PER MANUF. REQ'TS.
  - PROVIDE FRONT MOUNTED DISCONNECT SWITCH ON ALL AHU's.
  - LOCATIONS OF REGISTERS AND DUCTWORK IS APPROXIMATE AND SUBJECT TO CHANGE IN FIELD TO ACCOMMODATE STRUCTURAL OR OTHER CONFLICTS.
  - FLEXIBLE DUCTWORK IN ATTIC SPACE (UNCONDITIONED AIR SPACE) SHALL BE CLASS 1 AND R=8.0 MIN.
  - FLEXIBLE DUCTWORK BETWEEN CONDITIONED FLOORS (CONDITIONED AIR SPACE) SHALL BE CLASS 1 AND OF R=4.2.
  - DRYER EXHAUST DUCTWORK TO BE 30 GA. ROUND GALVANIZED SHEET METAL.
  - TOILET EXHAUST DUCTWORK TO BE SPUN ALUM. THERMOFIBER OR APPR. EQV.
  - KITCHEN HOOD EXHAUST DUCTWORK TO BE 30 GA. ROUND GALVANIZED S.M.

**H.V.A.C. ABBREVIATIONS**

|     |                   |     |                      |
|-----|-------------------|-----|----------------------|
| AHU | AIR HANDLING UNIT | EF  | EXHAUST FAN          |
| CG  | CEILING GRILLE    | MD  | MANUAL VOLUME DAMPER |
| RAG | RETURN AIR GRILLE | VTR | VENT THRU ROOF       |
| CU  | CONDENSING UNIT   | SR  | SIDEWALL REGISTER    |

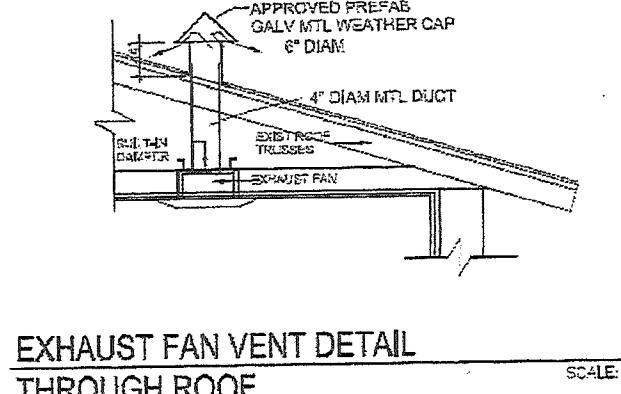
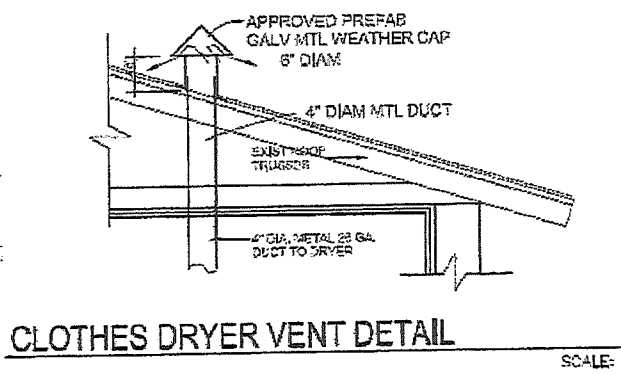
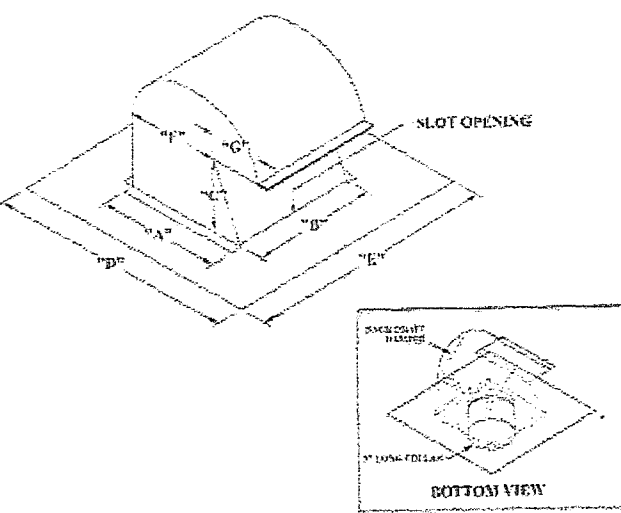
**ALTERNATE GRILLE SIZES**

| SPECIFIED GRILLE SIZE | ALTERNATE GRILLE SIZE |
|-----------------------|-----------------------|
| 6x4                   | 6x6, 8x4              |
| 6x6                   | 6x4, 8x4, 8x6         |
| 8x4                   | 6x6                   |
| 8x6                   | 10x6, 12x6, 14x6      |
| 10x6                  | 8x6, 10x6, 12x6, 14x6 |
| 10x8                  | 10x10, 12x6, 14x6     |
| 10x10                 | 12x6, 12x12, 14x6     |
| 12x6                  | 12x6, 14x6            |
| 12x8                  | 10x10, 14x6           |

**EXHAUST FAN SCHEDULE**

|      |   |
|------|---|
| EF-1 | 50 CFM MIN. AT 1/4" S.P., 120-1-60 WITH WALL CAP OR ROOF CAP AND 4" EXHAUST DUCT (MINIMUM PERFORMANCE)  |
| EF-2 | 110 CFM MIN. AT 1/4" S.P., 120-1-60 WITH WALL CAP OR ROOF CAP AND 4" EXHAUST DUCT (MINIMUM PERFORMANCE) |

**OWNERSHIP OF DOCUMENT:**  
 THESE DRAWINGS AND SPECIFICATIONS AS INSTRUMENT OF SERVICE ARE AND SHALL REMAIN THE PROPERTY OF THE SANSONE AIR CONDITIONING WHETHER THE PROJECT FOR WHICH THEY ARE USED ARE MADE IS EXECUTED OR NOT. THEY ARE NOT TO BE USED BY THE OWNER, OR ANY PARTY ON OTHER PROJECTS, EXTENSIONS TO THIS PROJECT OR FOR COMPLETION OF THIS PROJECT BY OTHERS EXCEPT BY AGREEMENT IN WRITING AND WITH APPROPRIATE COMPENSATION TO THE SANSONE AIR CONDITIONING.



**HVAC FLOOR PLAN**  
 SCALE: 1/4" = 1'-0"

**K. HOVNIANIAN - FOUR SEASONS**  
 LOT 432  
 12170 BASTILLE CIRCLE SOUTH

**ARCHITECT OF RECORD**  
 FIELDSTONE  
 TAMPA, FL 33637  
 (813) 466-3310

**ENGINEER/DESIGNER**  
 ERIC COBURN  
 DATE: 2-18-2021  
**CHECKED**  
 David Sansone  
 SCALE: AS NOTED  
 JOB #: AS NOTED  
 SHEET #

|   |                              |                              |           |
|---|------------------------------|------------------------------|-----------|
| CITY OF PARKLAND BUILDING DEPARTMENT 954-753-5447 |                              |                              |           |
| Date Received: 1/22/24                            | Permit Number: BLDG2304-0009 |                              |           |
| Lot: 432  | Block:                       | Subdivision: PARKLAND ROYALE |           |
| Job Address: 12170 BASTILLE CIR S                 |                              | <i>Med cop</i>               |           |
| Work Description: 432 PARKLAND ROYALE             |                              |                              |           |
| Contractor: K HOVNIANIAN FLORIDA OPERATIONS LLC   |                              | Phone: 5613484805            |           |
| DEPARTMENT  | Date Denied                  | Date Approved                | Initials  |
| ZONING  |                              |                              |           |
| LANDSCAPING                                       |                              |                              |           |
| ENGINEERING                                       |                              |                              |           |
| FIRE  |                              |                              |           |
| STRUCTURAL  |                              |                              |           |
| ELECTRICAL  |                              |                              |           |
| PLUMBING  |                              |                              |           |
| MECHANICAL  |                              | 1/23/24                      | <i>oo</i> |