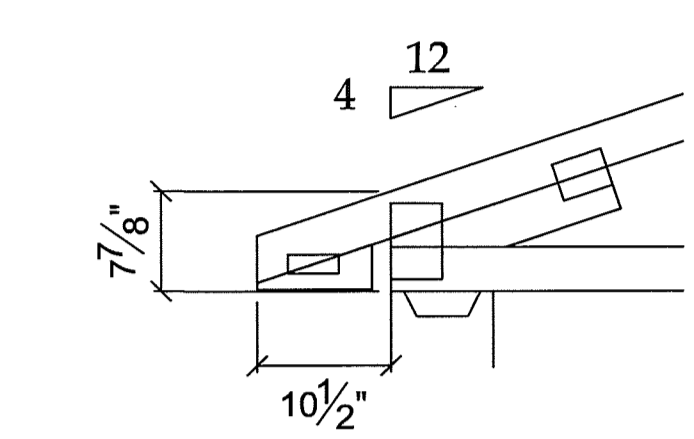
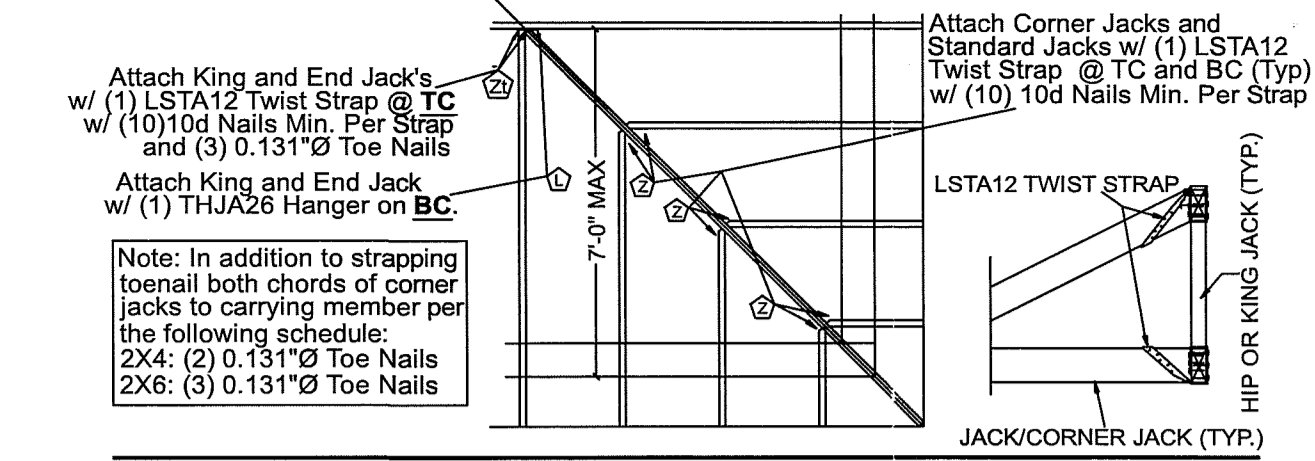


HVHZ Cornerset Specifications



HATCH LEGEND

	11'-4" BRG.
	15'-4" BRG.

*** NOTE: ALL TRUSS TO WALL AND/OR TRUSS TO LEDGER CONNECTIONS BY BUILDER. (UNLESS NOTED OTHERWISE)**

*** NOTE: ALL CEILING DROPS BELOW BEAM ARE BY BUILDER. (UNLESS NOTED OTHERWISE)**

*** NOTE: THIS TRUSS PLACEMENT DIAGRAM IS TO SHOW TRUSS I.D. AND TRUSS LOCATION ONLY. THE BUILDING DESIGNER IS RESPONSIBLE FOR THE STRUCTURAL STABILITY OF THE ENTIRE STRUCTURE. REFER TO THE INDIVIDUAL TRUSS ENGINEERING DRAWINGS FOR GRAVITY AND UPLIFT LOADS.**

FOR BRACING & ERECTION DETAILS REFER TO BCSI-03 AND/OR ENGINEER OF RECORD.

REPRESENTS THE LEFT SIDE OF EACH TRUSS DRAWING

(NOTE: REFER TO SIMPSON CONNECTOR CATALOG FOR INSTALLATION DETAILS)

A	LUS24	H	HHUS46	Q	---
B	LUS26	J	THA422	R	---
C	HUS26	K	MUS26	S	---
D	HUS28	L	THJA26	T	---
E	HHUS26-2	M	---	U	---
F	HHUS28-2	N	---	V	---
G	LUS46	P	---	X	---

HBB	HANGER BY BUILDER	BBB	BEAM BY BUILDER
-----	-------------------	-----	-----------------

Z	LSTA12 @ TC & BC	* NOTE: LSTA STRAP INDICATED TO BE USED IN CONCORDANCE WITH CORNERSET DETAIL.
Zt	LSTA12 @ TC	
Zb	LSTA12 @ BC	

LOADING		ROOF	FLOOR	WIND LOAD
TOP CHORD	LIVE LOAD	20	-	ASCE 7-16
	DEAD LOAD	15	-	170 C
BOTTOM CHORD	LIVE LOAD	0	-	Residential - CAT II
	DEAD LOAD	10	-	Closed
TOTAL LOAD		45	-	FBC 7th Ed. 2020 Res. HVHZ

DURATION FACTOR	1.25	-	TPI 2014
-----------------	------	---	----------

REV	DATE	BY	REMARKS
-	-	-	-
-	-	-	-
-	-	-	-
-	-	-	-
-	-	-	-
-	-	-	-
-	-	-	-
-	-	-	-

It is understood that above conditions have been reviewed & are acceptable for the fabrication at trusses, elevations, pitches, overhangs, fascias, ceiling elevations/pitches, bearing conditions & all detail pertaining to this truss placement plan. No back charges will be accepted without previous written approval from an A-1 Roof Trusses representative.

APPROVED
 APPROVED AS NOTED
 REVISE AND RESUBMIT
 REJECTED

DATE _____ REVIEWED BY _____

PLAN DATE	ARCH: -/-/-	STRUCT: -/-/-
-----------	-------------	---------------

CUSTOMER	RYAN S FL		
JOB NAME	Model:SABAL GRANDE / Elev:A / FT / RLAY		
OPTION(S)	Foyer Tray		
COMMUNITY / LOT #			
CITY	Parkland		
COUNTY			
BLDG. TYPE	R-SF	BLDG. #	
JOB #	#96708	MASTER	CRSPFSBAF
DATE	3/10/21	DRAWN	SCALE
		CG	NTS

4451 St Lucie Blvd
Fort Pierce, FL 34946
http://www.a1truss.com
Tel: 772-409-1010
Fax: 772-409-1015

Florida Horizon Engineering

Approved
 Rejected
 Submit Specified Item

Approved as Corrected
 Revise and Resubmit

This review is only for general conformance with the design concept of the project and general compliance with the information given in the Contract Documents. Corrections or comments made on this shop drawings during this review do not release Contractor from compliance with the requirements of the plans and specifications. Approval of a specific item shall not include approval of an assembly of which the item is a component. Contractor is responsible for: dimensions to be confirmed and correlated at the jobsite; information that pertains solely to the fabrication processes or to the means, methods, techniques, sequences and procedures of construction; coordination of the Work of all trades; and for performing all work in a safe and satisfactory manner.

Date: 3/22/21 By: [Signature]

FLORIDA PROFESSIONAL ENGINEER
Ryan M Bays
No. 7223

Created: 3/31/2021

Office
Copy

Office
Copy

CITY OF PARKLAND BUILDING DEPARTMENT 954-753-5447			
Date Received: 5/4/23	Permit Number: BLDG2305-0049		
Lot: 77	Block: 2	Subdivision: FALLS @ PARKLAND	
Job Address: 8189 LIBERTY WAY			
Work Description: 77'S FALLS @ PARKLAND TRUSS			
Contractor: RYAN HOMES		Phone: 5618187950	
DEPARTMENT	Date Denied	Date Approved	initials
ZONING			
LANDSCAPING			
ENGINEERING			
FIRE			
STRUCTURAL		5-17-23	[Signature]
ELECTRICAL			
PLUMBING			
MECHANICAL			

