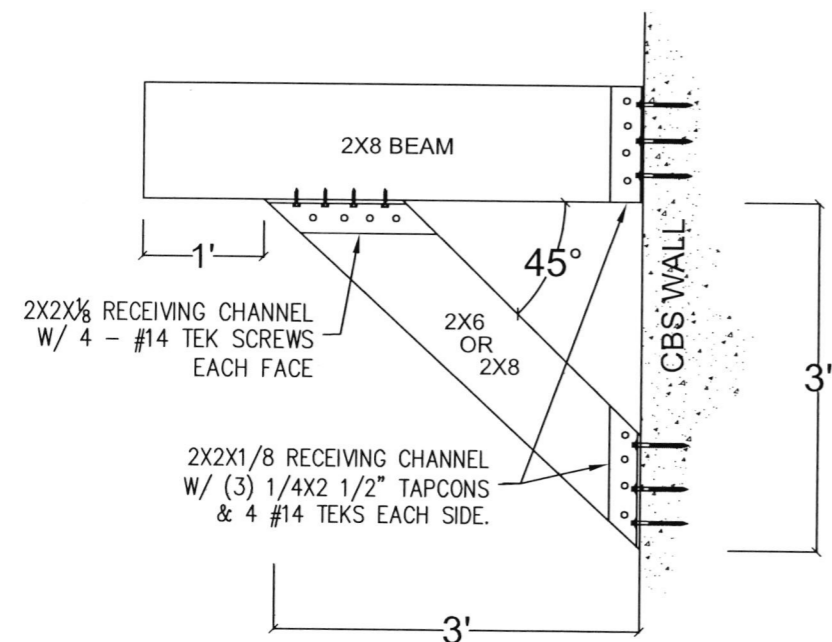
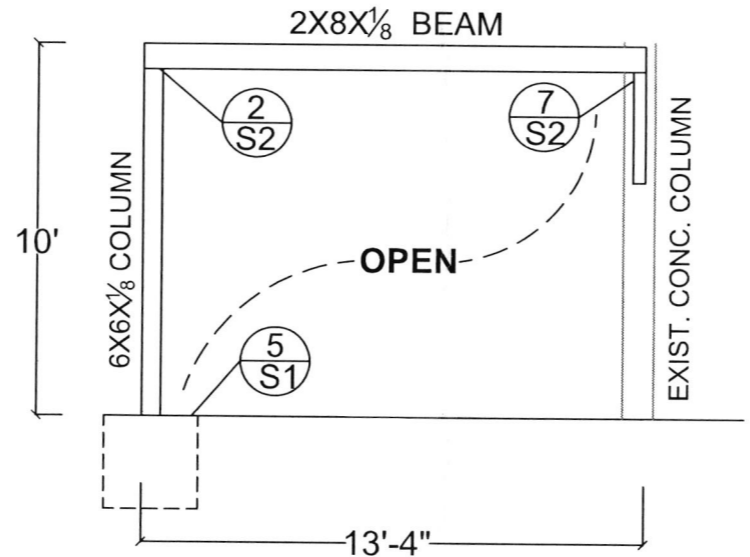


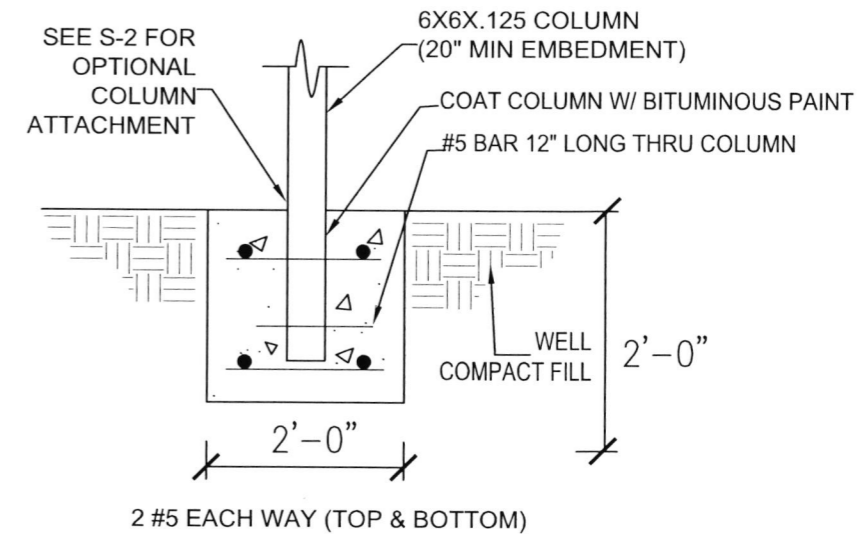
ROOF FRAMING VIEW



BRACKET DETAIL



FRONT VIEW



5/S1 COLUMN ATTACHMENT & ISOLATED FOOTING

- 170 MPH & Exposure "C"
- New 2'-0"x2'-0"x2'-0" deep isolated footing under the columns
- The existing soil meets the required load bearing capacity of 2,500 psf
- According to the rational analysis, the provided foundation and attachment to the host structure are adequate to support gravity, uplift, and lateral loads imposed by the new structure
- This design complies with F.B.C. 2020 7th Edition & ASCE 7-16

Project Site Address:
 Carlos Valencia
 9111 Cattail Run
 Parkland, FL 33076

Engineer Seal:
 MYOUNGHO KIM, P.E. FL Reg. # 62565
 2653 Baccarat Dr., Cooper City, FL 33026
 TEL: 954-559-7247 FAX: 305-816-5979

Digitally signed by Myoung-ho Kim
 DN: c=US, o=Florida,
 dnQualifier=A01410D000001829A
 Date: 2023.09.29 15:45:25 -04'00'